

SPECIAL INFORMATION

The Engine Build Code Number, Vehicle Identification Number and the information provided on the Unit Body Plate are often necessary when determining the proper replacement parts for your automobile. For their location refer to the General Information Section found at the front of this catalog.

ILLUSTRATIONS INDEX

ADJUSTABLE REAR DECK SPOILER 30, 70 .....	Gr 19 - L 6
CAMSHAFT KIT V8 .....	Gr 19 - L 1
CAPACITOR DISCHARGE IGNITION SYSTEM V8 .....	Gr 19 - L 5
CAST IRON INTAKE MANIFOLD 290, 304, 343 .....	Gr 19 - L 2
CROSS RAM DUAL CARBURETOR ALUMINUM MANIFOLD V8 .....	Gr 19 - L 4
FORGED CONNECTING ROD 290, 343 .....	Gr 19 - L 2
FRONT UNDERBODY SPOILER 30, 70 .....	Gr 19 - L 6
HIGH PERFORMANCE IGNITION SYSTEM V8 .....	Gr 19 - L 3
HEAT BLOCKER MANIFOLD GASKET V8 .....	Gr 19 - L 1
HIGH RISER ALUMINUM MANIFOLD AND SINGLE CARBURETOR V8 .....	Gr 19 - L 2
POSITIVE LOCKING DIFFERENTIAL V8 .....	Gr 19 - L 6
REAR AXLE GEAR SETS V8.....	Gr 19 - L 3
TORQUE LINK KIT 01 (V8) .....	Gr 19 - L 4
TORQUE LINK KIT 70.....	Gr 19 - L 5

NOTES

PARTS AVAILABLE IN ADDITION TO THOSE ILLUSTRATED

19.151 PAN ASSEMBLY, Engine Oil (8-1/2 Qt. Capacity)

67/ V8 ..... 1 448 5741  
 Part must be ordered direct from: Aviaid Metal Products 14519 Blythe Street, Van Nuys, California 91402 or from  
 Racing Components 1506 W. 228th Street, Torrance, California 90501

19.167-1 HEADER, Exhaust

67/ (Left) V8..... 1 448 5727  
 67/ (Right) V8..... 1 448 5726  
 Part must be ordered direct from: Belanger Headers 440 E. Front Street, Covina, California 91722 or from  
 Doug's Headers 5533 E. Whittier Blvd., Los Angeles, California 90022 or from  
 Jardine Header Co., 7565 Acacia, Garden Grove, California 92641

19.824 DRUM, Rear Brake

67/ (Left) V8..... 1 448 5737  
 67/ (Right) V8..... 1 448 5736  
 Part must be ordered direct from: Ronnie Kaplan Engineering Inc. 115 Elizabeth Drive, Elk Grove, Illinois 60005

19.827 WHEEL, Road

67/ (15 x 8") V8..... 1 448 5738  
 Part must be ordered direct from: American Racing Equipment 355 Valley Drive, Brisbane California 94005 or from  
 Ronnie Kaplan Engineering Inc. 115 Elizabeth Drive, Elk Grove, Illinois 60005

**19.880-1 BRAKE ASSEMBLY, Front Wheel Disc (Incl. Hub And Caliper)**

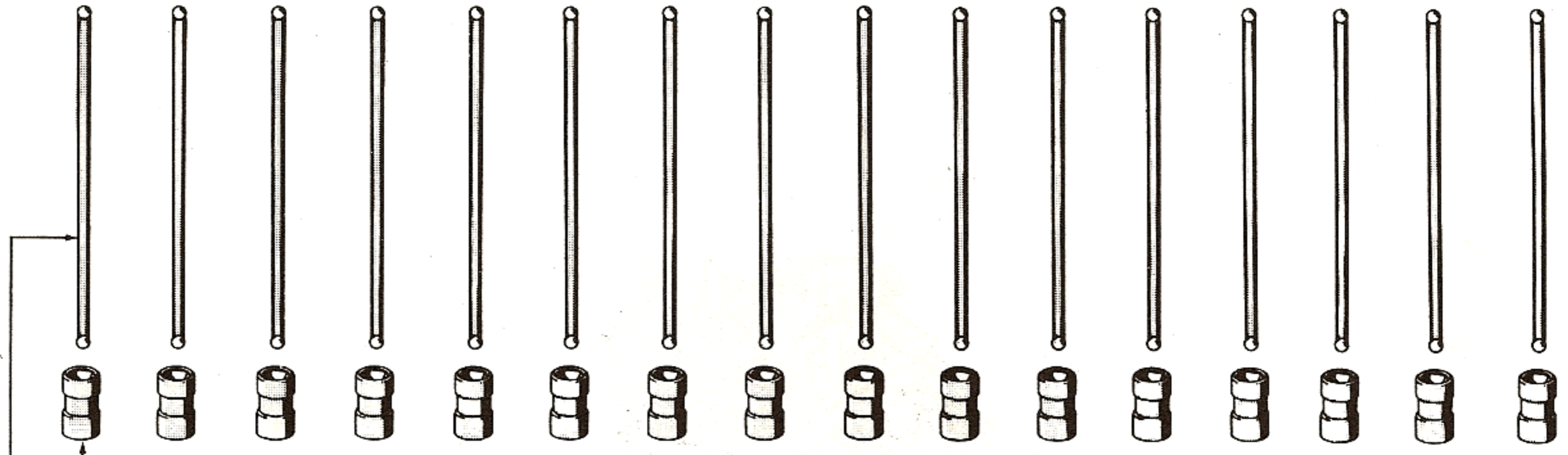
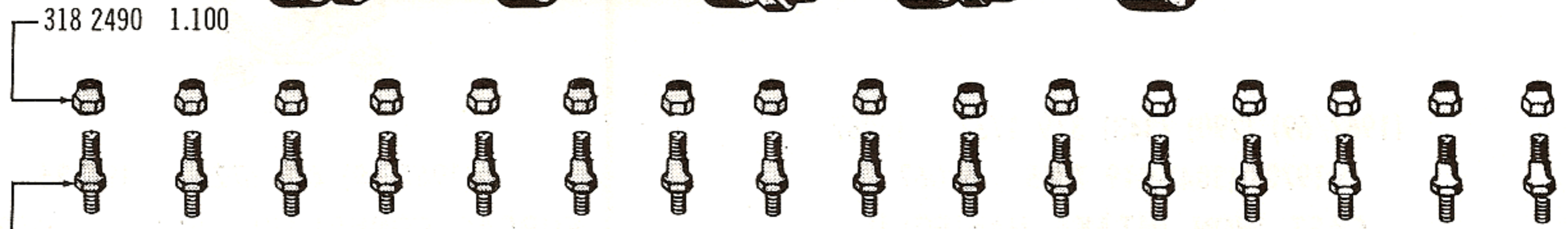
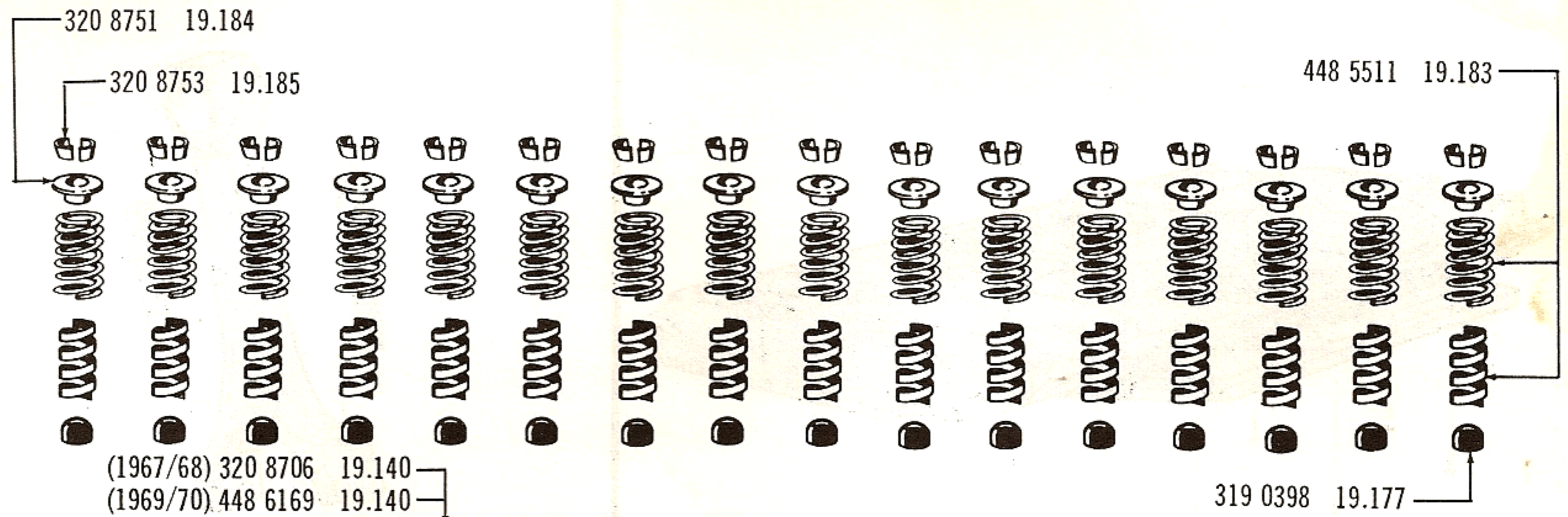
67/	(Left) V8.....	.....	1	448 5733
67/	(Right) V8.....	.....	1	448 5732

Part must be ordered direct from: **Ronnie Kaplan Engineering Inc. 115 Elizabeth Drive, Elk Grove, Illinois 60005**

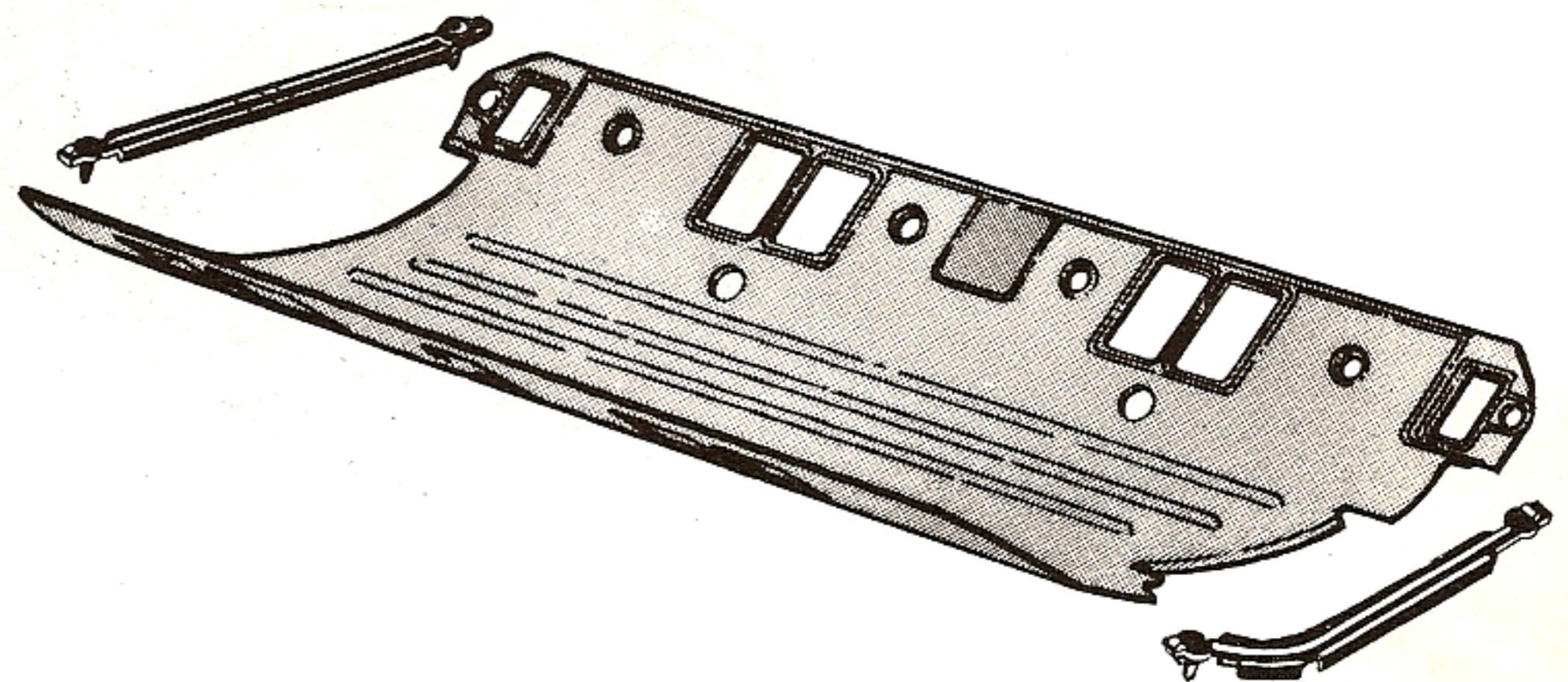
**19.880-2 BRAKE ASSEMBLY, Rear Wheel Disc (Incl. Hub And Caliper)**

67/	(Left) V8.....	.....	1	448 5735
67/	(Right) V8.....	.....	1	448 5734

Part must be ordered direct from: **Ronnie Kaplan Engineering Inc. 115 Elizabeth Drive, Elk Grove, Illinois 60005**

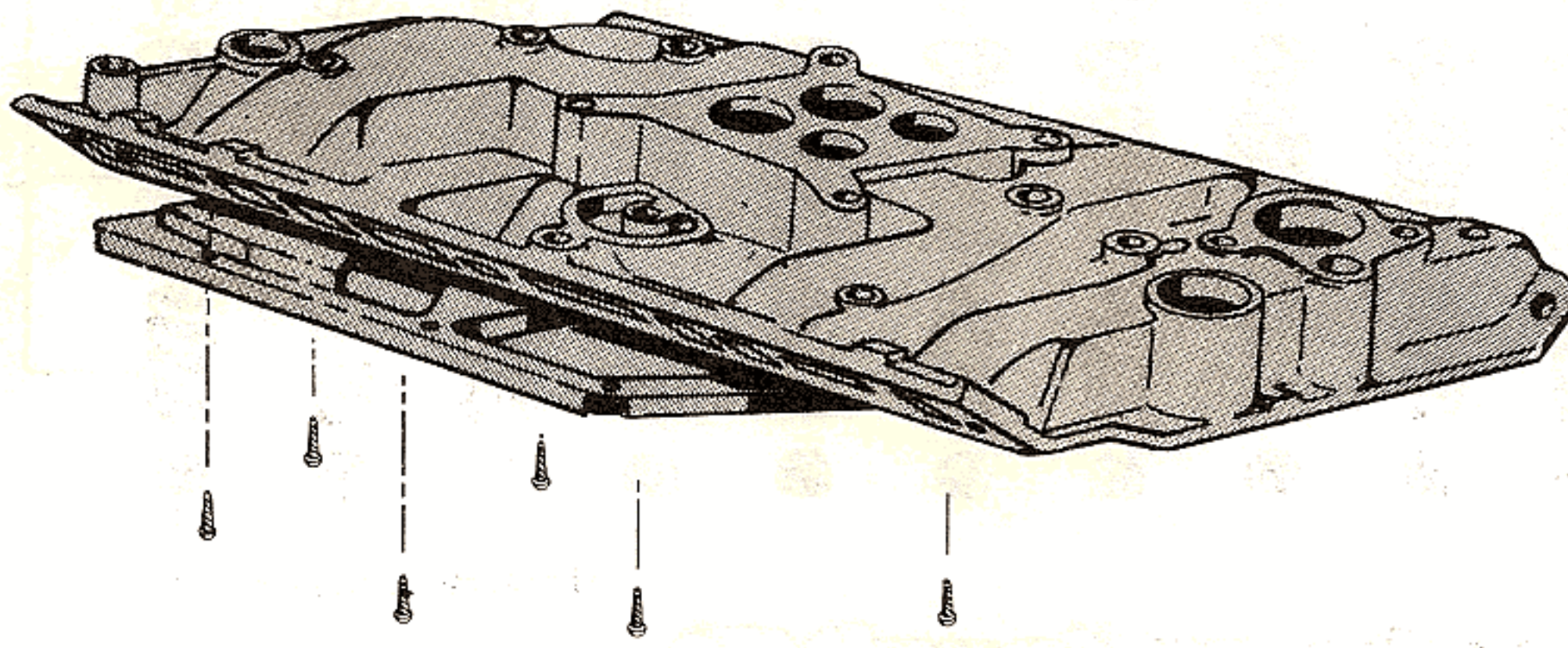


(1970) 448 8413 19.140  
 (1967/69) 448 6719 19.140  
**CAMSHAFT KIT . . . V8**

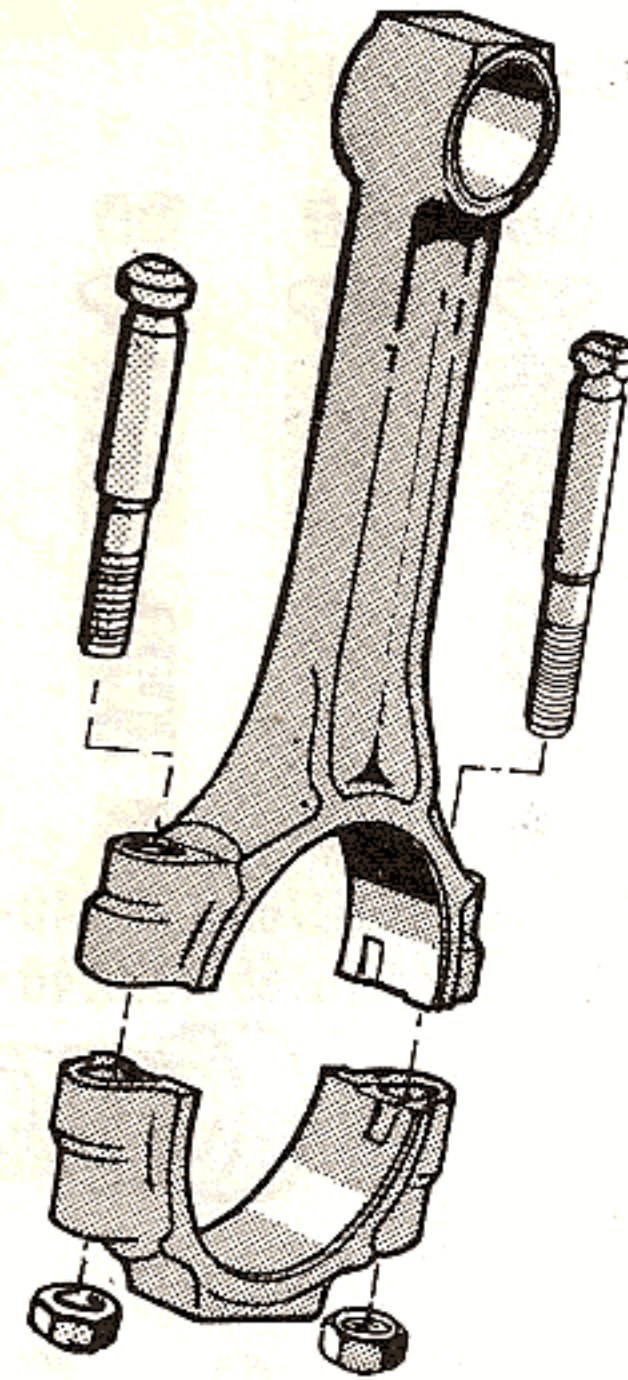


(1967/69) 448 8475 19.167  
 (1970) 448 8476 19.167  
**HEAT BLOCKER MANIFOLD GASKET . . . V8**

3439

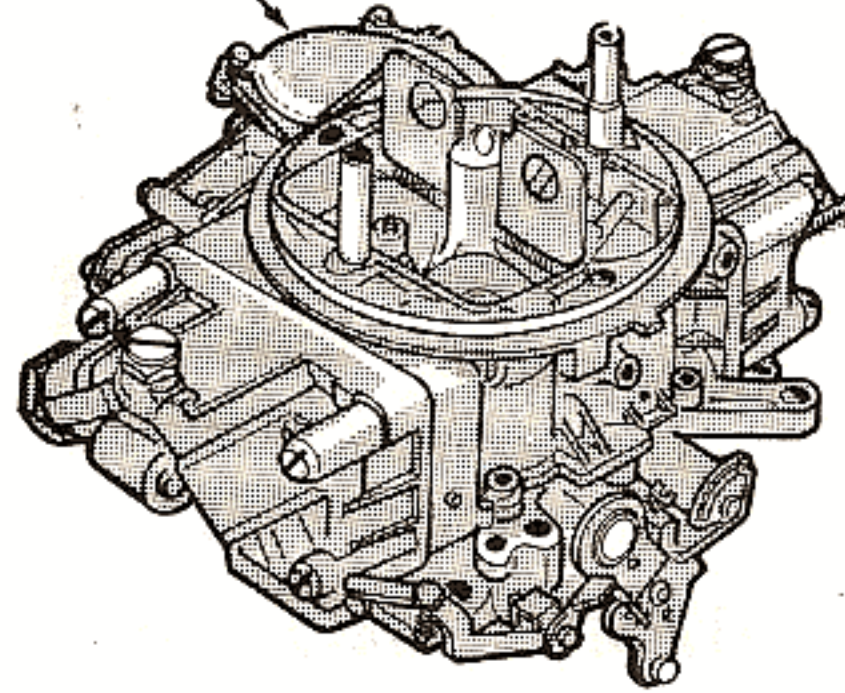


(1967/69) (290) (343) 319 1737 1.067  
 (1970) (304) 319 7035 1.067  
**CAST IRON INTAKE MANIFOLD**

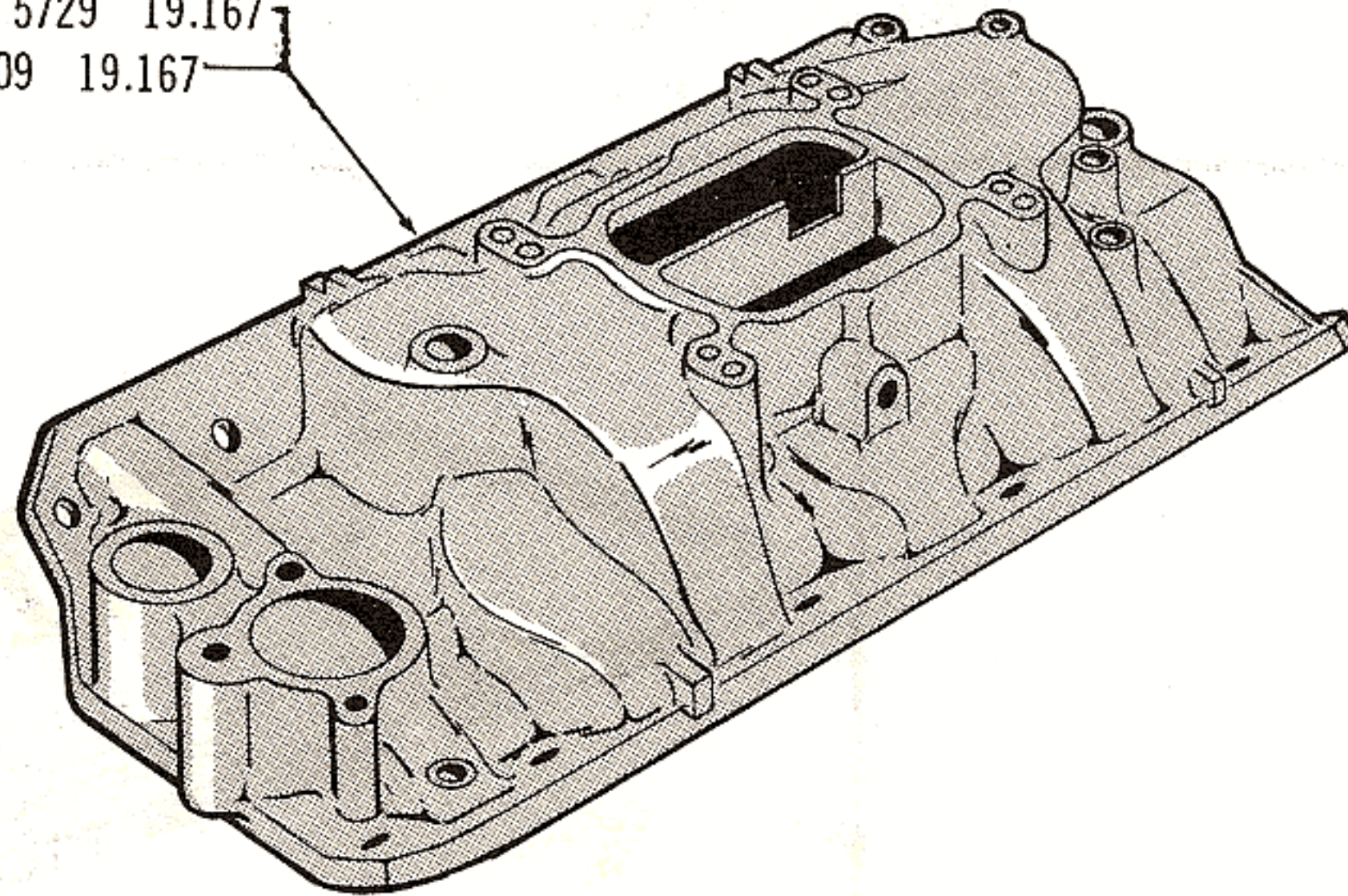


(1967/69) 448 5725 19.136  
**FORGED CONNECTING ROD . . . 290, 343**

448 5730 19.401



(1967/69) 448 5729 19.167  
 (1970) 448 8409 19.167

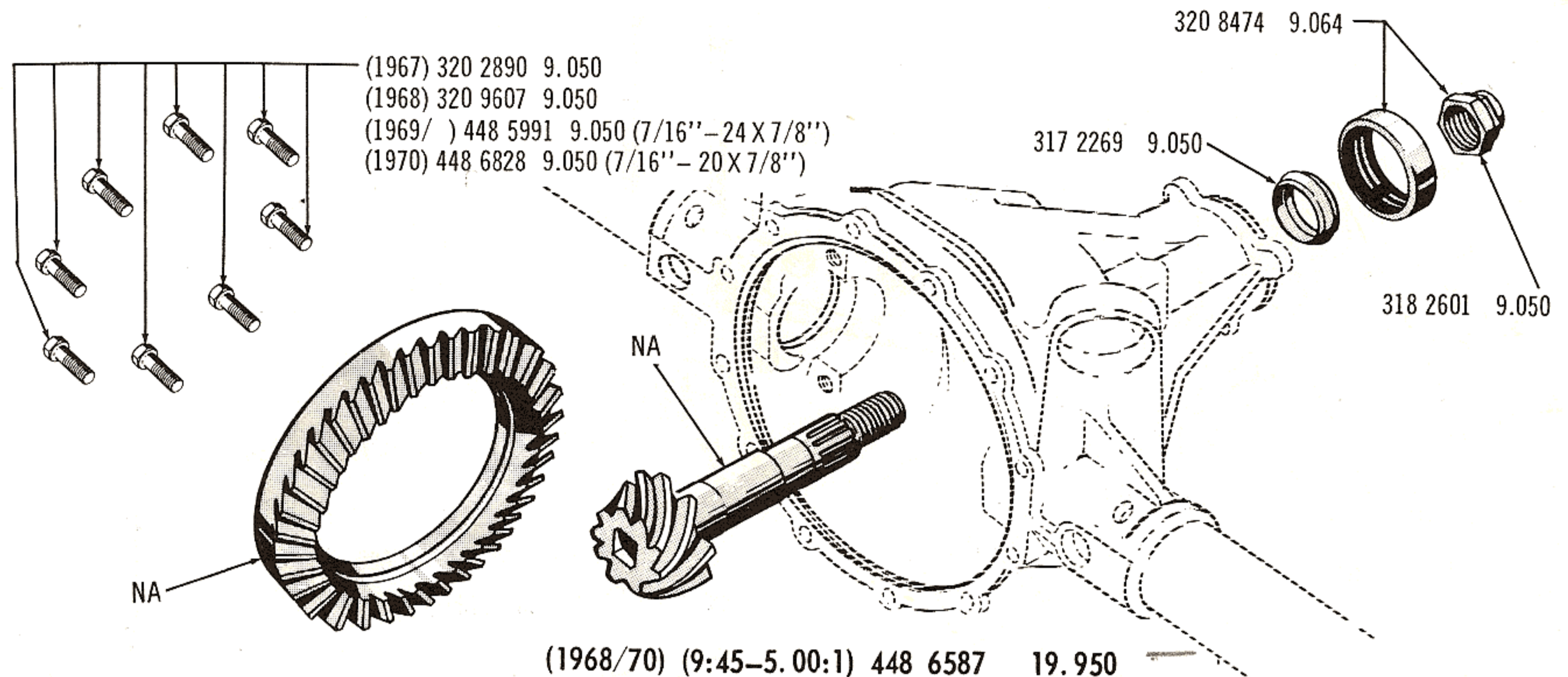


(1967/69) 448 5731 19.167  
 (1970) 448 8410 19.167

3440

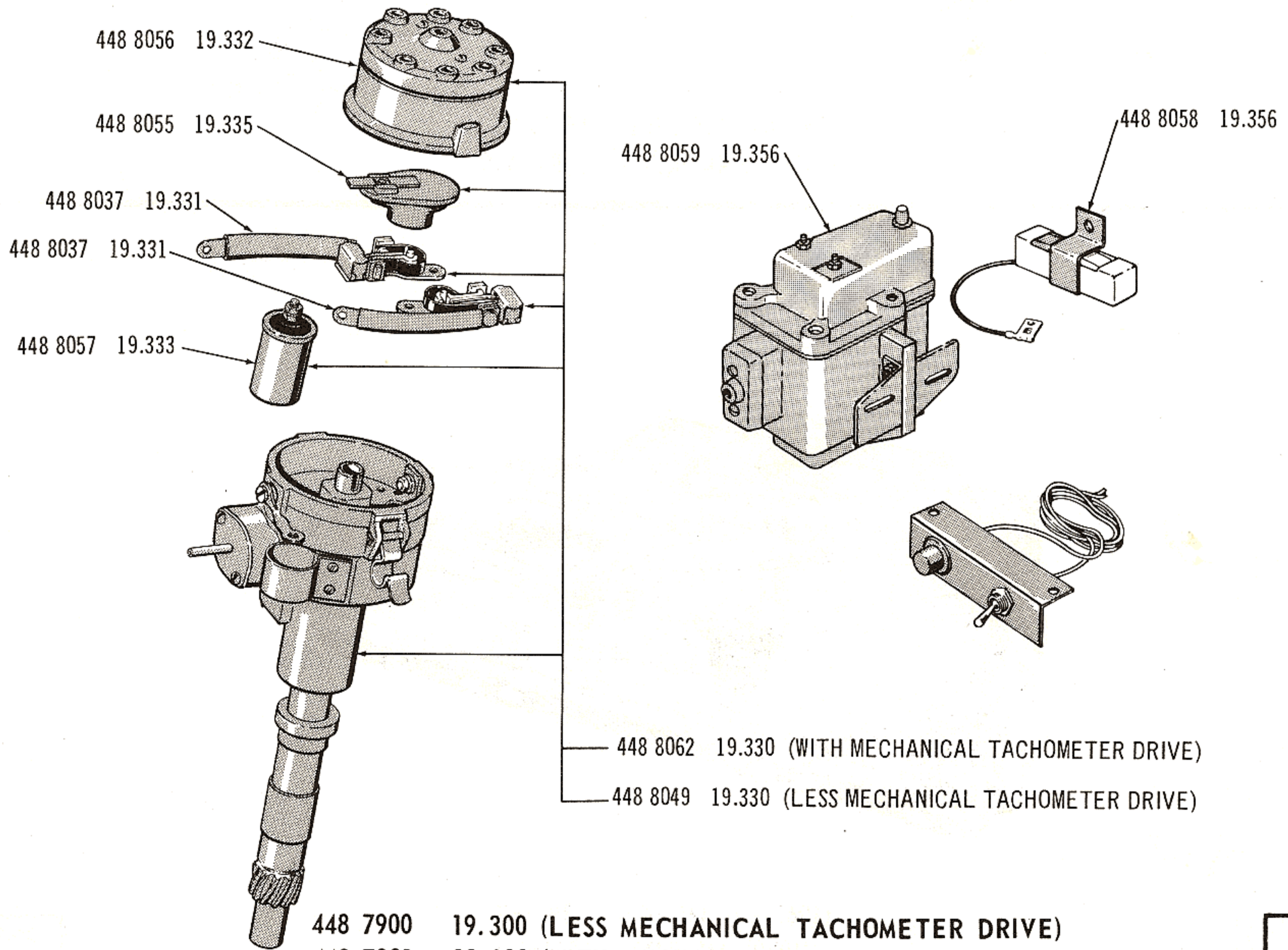
**HIGH RISER ALUMINUM MANIFOLD AND SINGLE CARBURETOR . . . V8**

Copyright 1966 American Motors Corp.



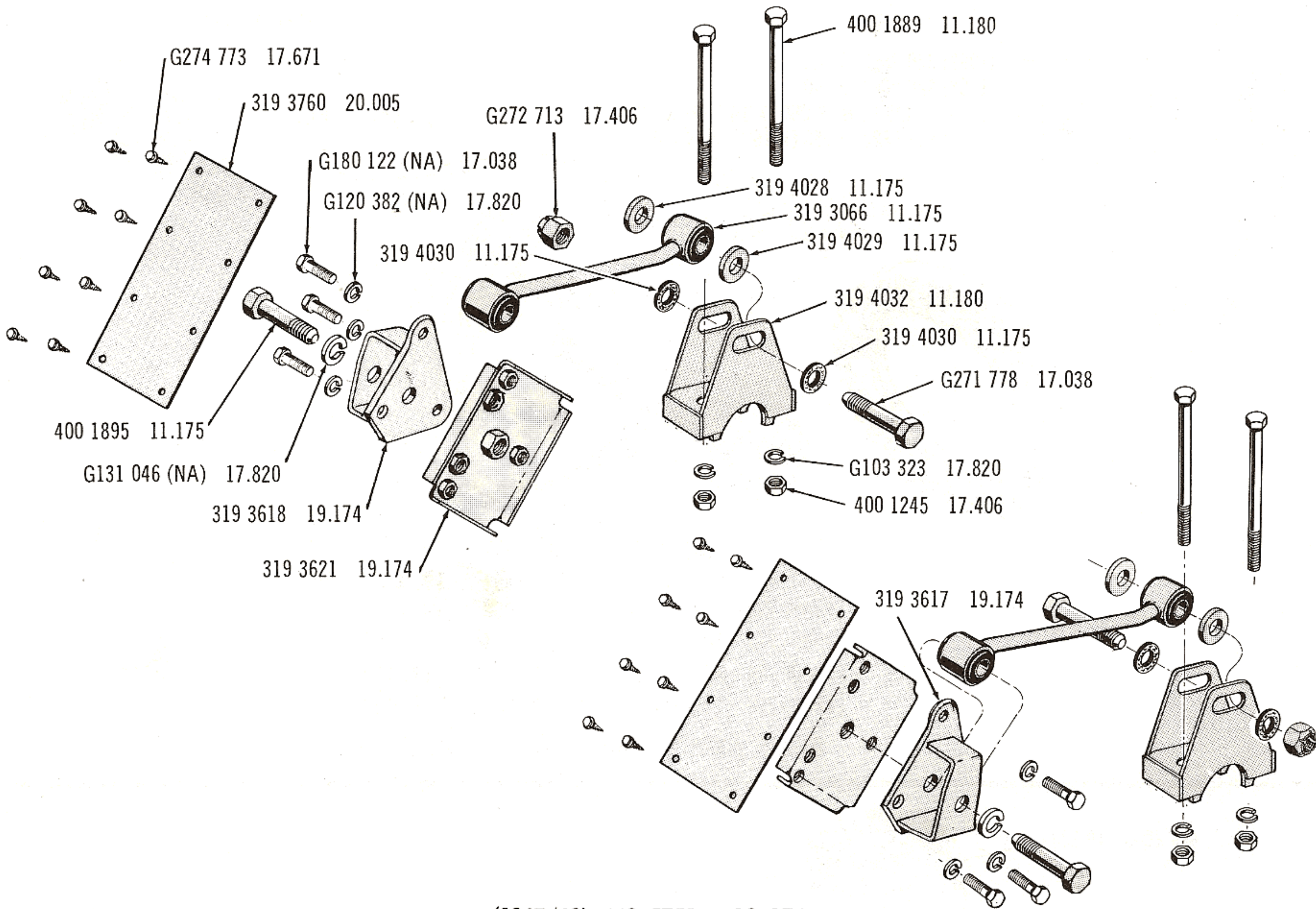
(1968/70)	(9:45-5.00:1)	448 6587	19.950
(1967)	(9:40-4.44:1)	320 8551	19.950
(1968/70)	(9:40-4.44:1)	320 9854	19.950
(1968/70)	(10:41-4.10:1)	320 8546	19.950
(1968/70)	(11:43-3.91:1)	448 5750	19.950
(1968/70)	(11:41-3.73:1)	448 5749	19.950

REAR AXLE GEAR SETS ... V8

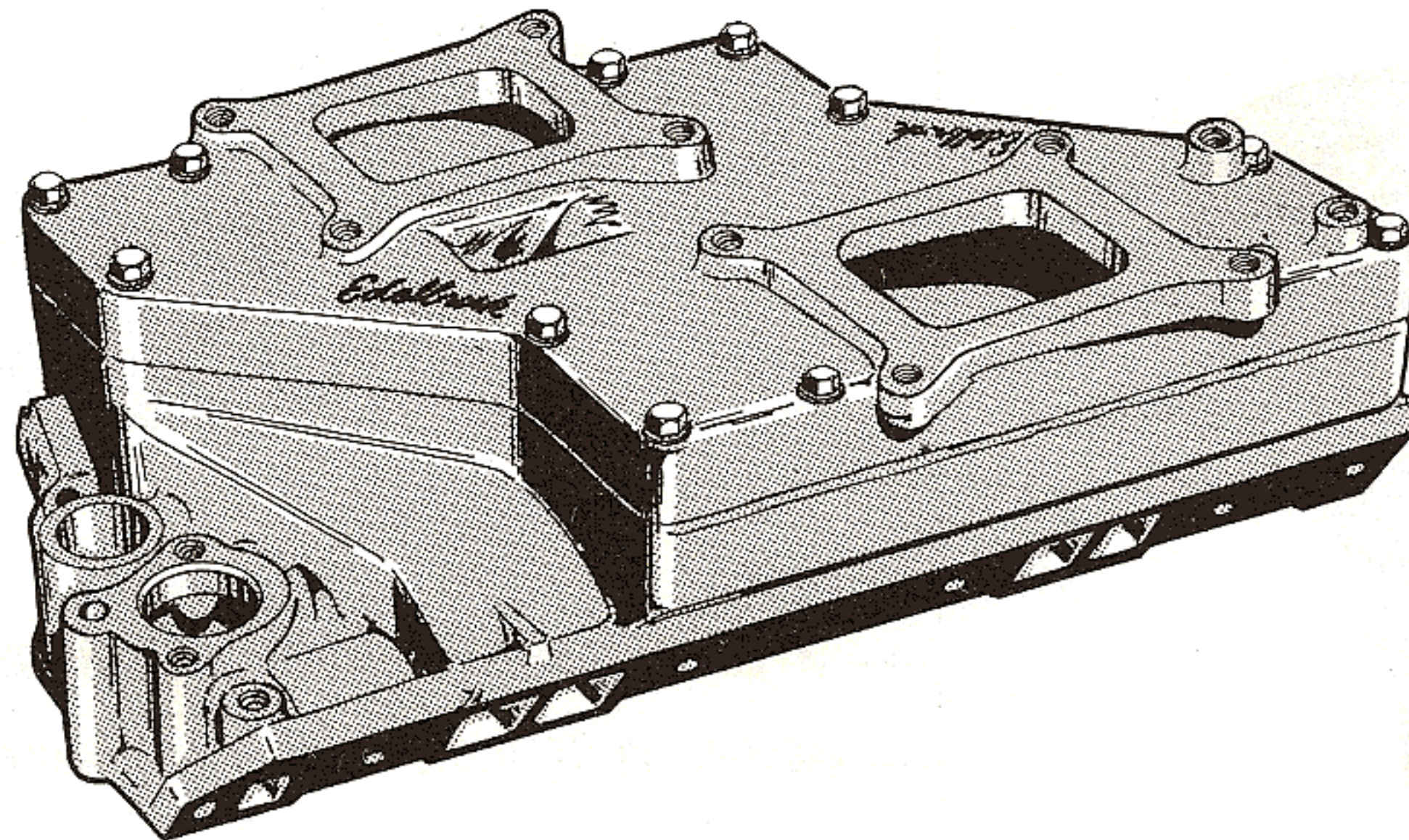


HIGH PERFORMANCE IGNITION SYSTEM ... V8

3441



(1967/69) 448 5753 19.174  
**TORQUE LINK KIT ... 01 (V8)**

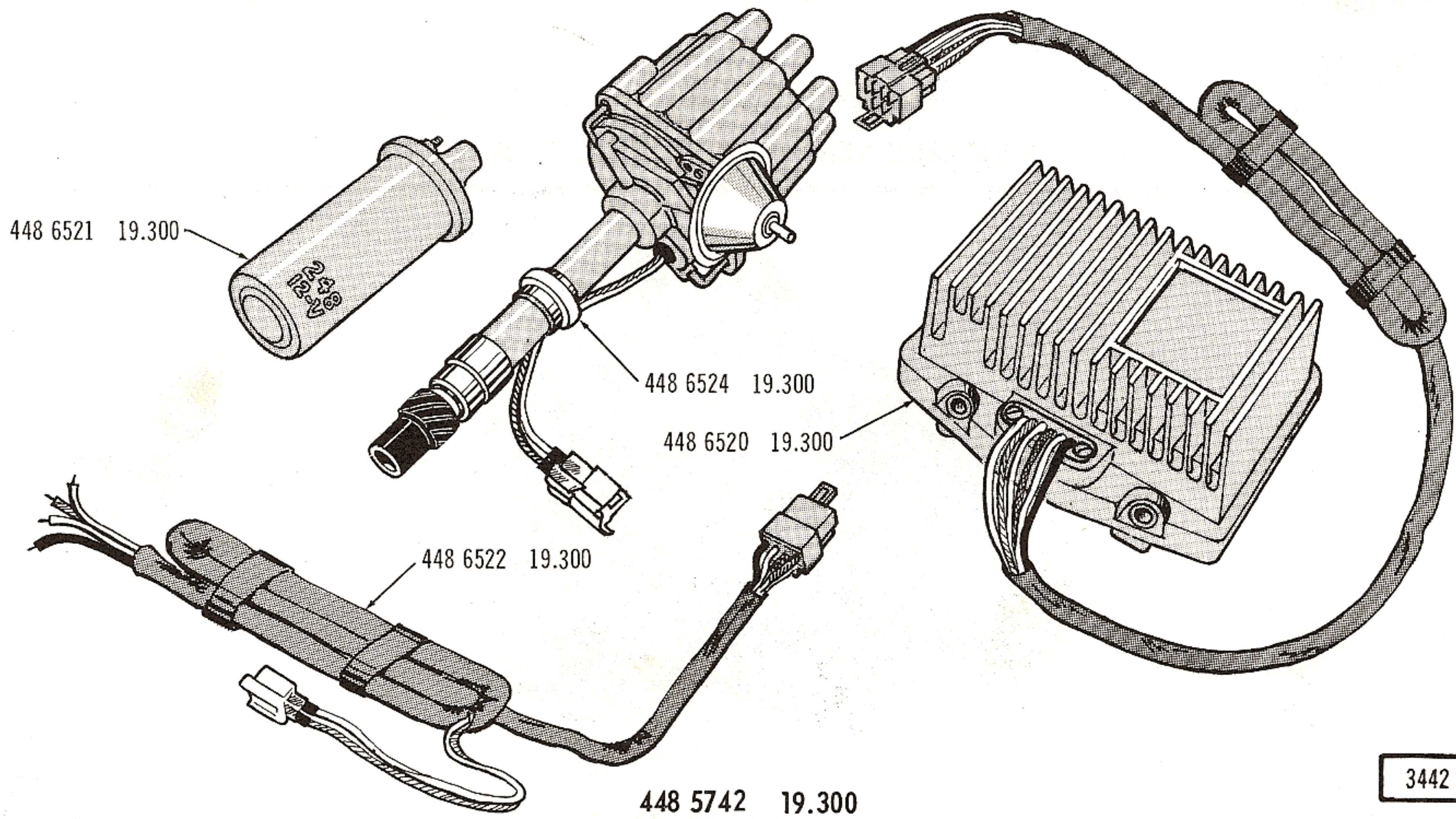
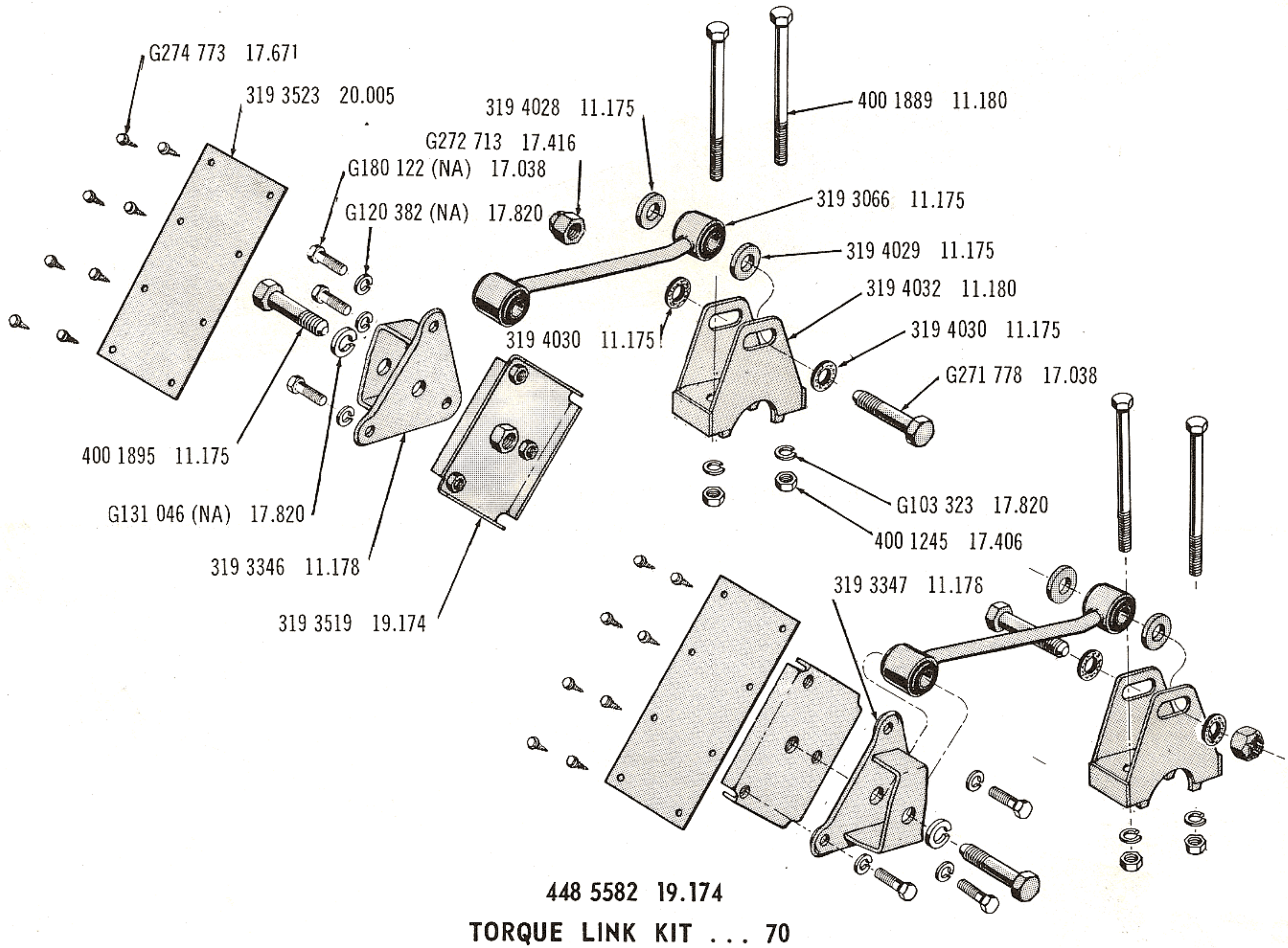


(1967/69) 448 6228 19.167  
 (1970) 448 8411 19.167

3443

**CROSS RAM DUAL CARBURETOR ALUMINUM MANIFOLD ... V8**

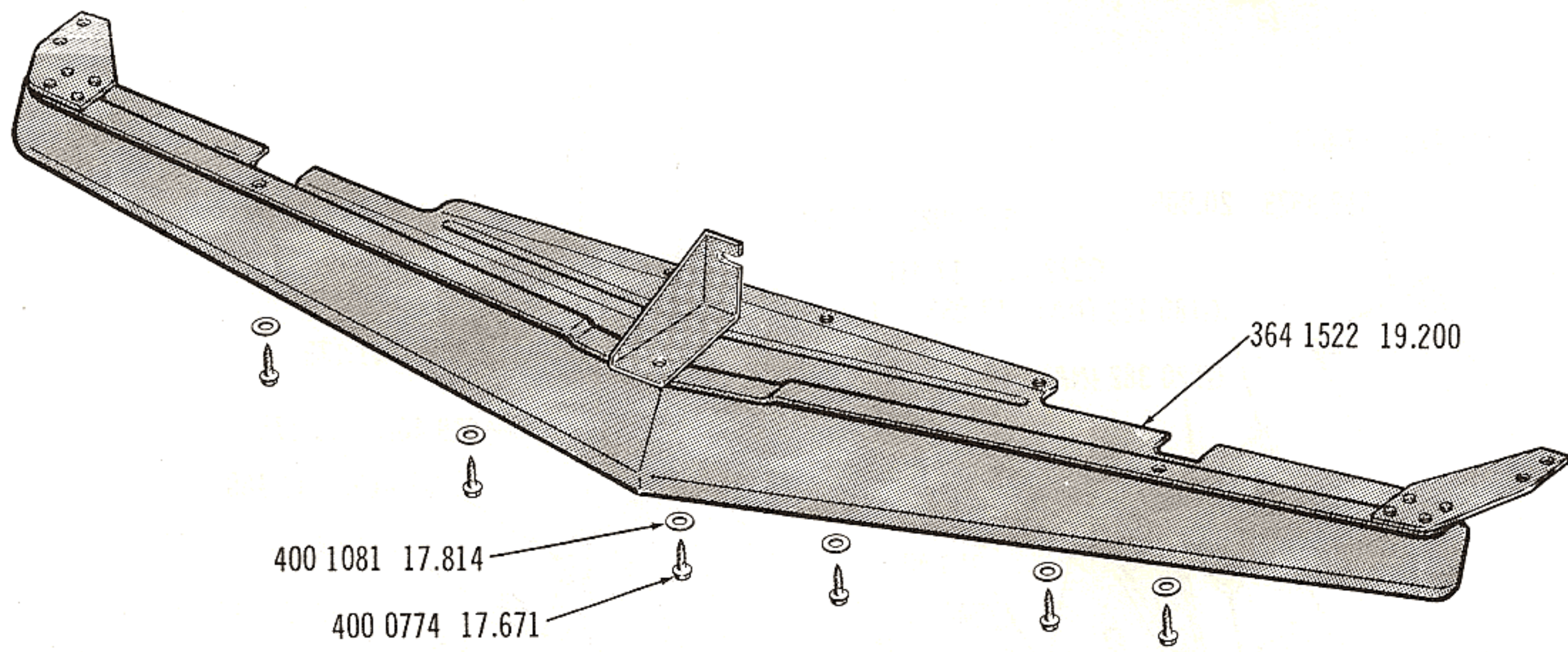
Copyright 1966 American Motors Corp.



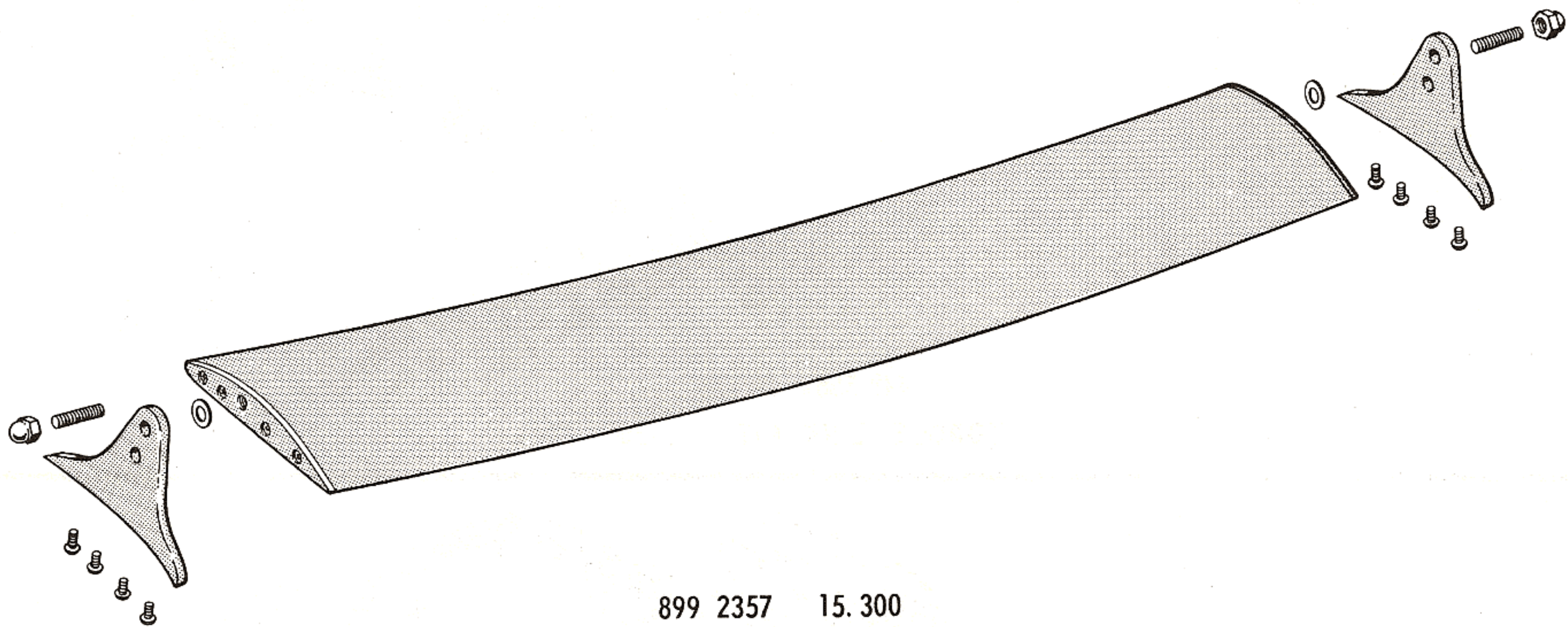
3442

CAPACITOR DISCHARGE IGNITION SYSTEM ... V8

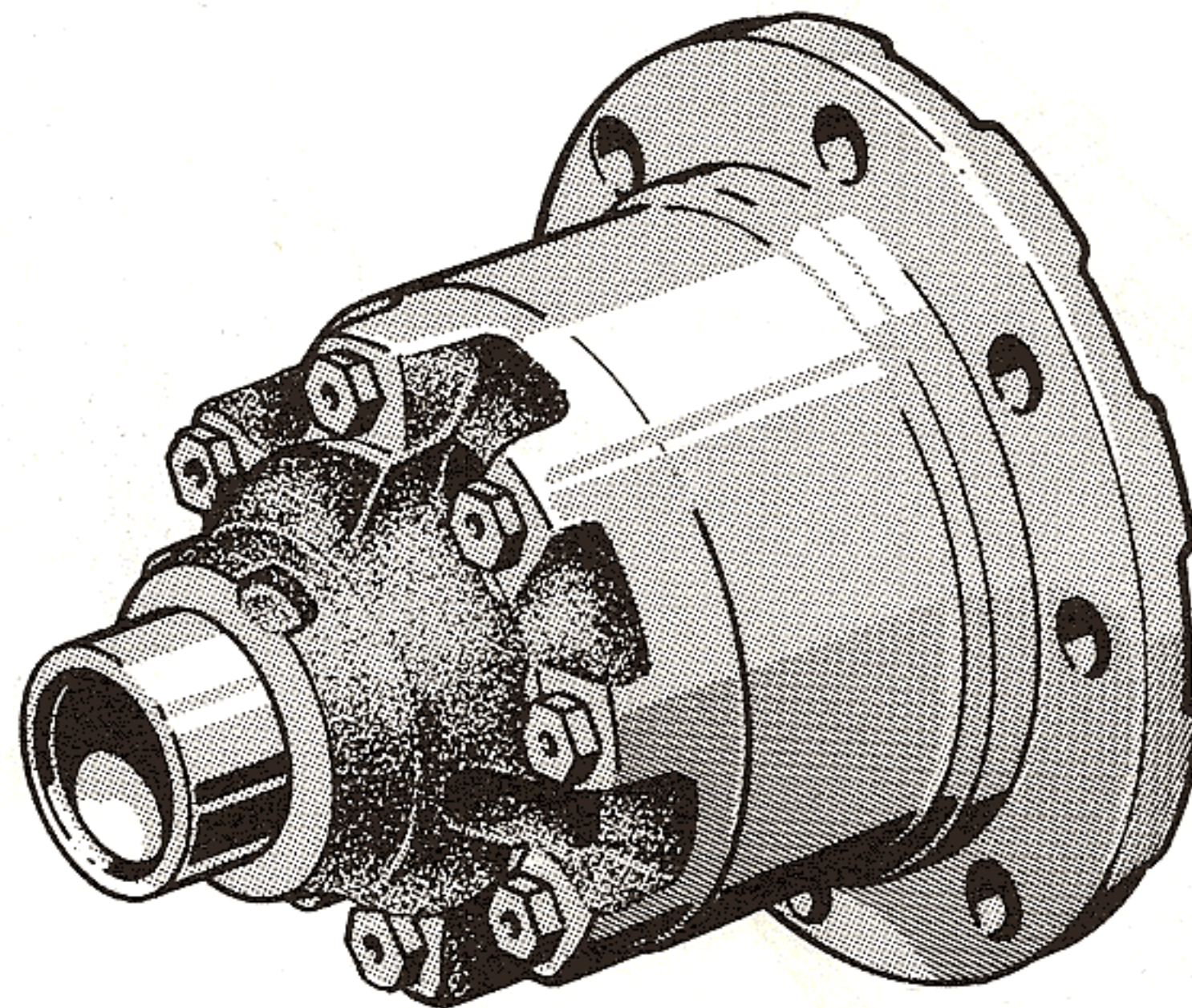
Copyright 1966 American Motors Corp.



FRONT UNDERBODY SPOILER ... 30, 70



ADJUSTABLE REAR DECK SPOILER ... 30, 70



448 6997 19.900

3512

POSITIVE LOCKING DIFFERENTIAL ... V8

Copyright 1966 American Motors Corp.